

Crane forks with spring

These forks are designed to move palletised goods. Balance control is automatic by means of a spring. These crane forks are adjustable in height. The two forks, made from extremely high-quality steel, are adjustable in width.



	Capacity	Effective Width	Effective Height	Effective Length	Weight
PB15	1500 kg	400-1000 mm	1200-1700 mm	1000 mm	155 kg
PB20	2000 kg	400-1000 mm	1200-1700 mm	1000 mm	180 kg
PB25	2500 kg	400-1000 mm	1150-1650 mm	1000 mm	210 kg
PP30	3000 kg	400-1000 mm	1150-1650 mm	1000 mm	230 kg

Crane forks with ring

These crane forks are designed to move palletised goods. The balance control is manually adjustable by means of a ring. The two forks, made from extremely high-quality steel, are adjustable in width.

PC25 and PC30: these crane forks have a fixed height.
PE15, PE20, PE25 and PE30: these crane forks are adjustable in height.



	Capacity	Effective Width	Effective Height	Effective Length	Weight
PC25	2500 kg	400-1000 mm	1300 mm	1000 mm	155 kg
PC30	3000 kg	400-1000 mm	1300 mm	1000 mm	170 kg
PE15	1500 kg	400-1000 mm	1200-1700 mm	1000 mm	150 kg
PE20	2000 kg	400-1000 mm	1200-1700 mm	1000 mm	165 kg
PE25	2500 kg	400-1000 mm	1200-1700 mm	1000 mm	180 kg
PE30	3000 kg	400-1000 mm	1200-1700 mm	1000 mm	200 kg

Crane forks with clamp

These crane forks are designed to move palletised goods. Balance control is adjustable by means of a clamping system. The two forks, made from extremely high-quality steel, are adjustable in width. This type is available with ring or rotator.



	Capacity	Effective Width	Effective Height	Effective Length	Weight
PL15	1500 kg	400-1000 mm	1200-1700 mm	1000 mm	160 kg
PL20	2000 kg	400-1000 mm	1200-1700 mm	1000 mm	185 kg
PL25	2500 kg	400-1000 mm	1200-1700 mm	1000 mm	195 kg
PL30	3000 kg	400-1000 mm	1200-1700 mm	1000 mm	210 kg

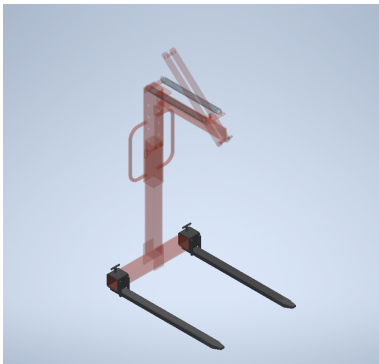
Accessories and extra options



MEER001

Additional charge for crane forks height extension to 3m

The height of all types of crane forks can be extended up to a maximum of 3m. This applies to pallets that are higher than 1m65, such as pallets with insulation.



MEER002

Additional charge for extension set of forks to 1.2m

All types of crane forks can be supplied with forks with a working length of 1m20. This is for pallets with a maximum fork entry depth of 1m20, such as a euro pallet in the length.



MEER008

Additional charge for galvanising crane forks 1500 kg and 2000 kg exc. forks/springs

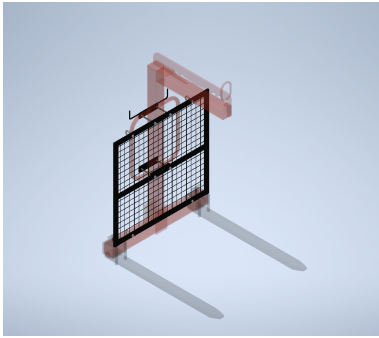
Applying a layer of zinc as a corrosion protection layer by immersion in a bath of molten zinc. This is an option for all crane forks with a capacity of 1500 kg to 2000 kg. This protective layer is applied to all parts of the crane forks except the forks and springs.



MEER018

Additional charge for galvanizing crane forks 2500 kg and 3000 kg excl. forks

Applying a layer of zinc as a corrosion protection layer by immersion in a bath of molten zinc. This is an option for all crane forks with a capacity of 2500 kg to 3000 kg. This protective layer is applied to all parts of the crane forks except the fork arms.



PROD009

Fixed safety grille for crane forks

This non-extendible safety grille is designed to fit on to crane forks. By using a safety strap or safety net, the goods can be pulled up against the grille.



PROD010

Extendible safety grille for crane forks

This safety grille is designed to fit on to crane forks. By using a safety strap or safety net the goods can be pulled up against the grille.



PROD011

Safety net for crane forks with permanent safety grille

This is a safety net designed to use on a permanent safety grille. By using ratchet straps with the net, goods can be pulled up against the safety grille. The ratchet straps ensure that the pallet cannot slide and the net prevents loose stones from falling off.



PROD012

Safety net for crane forks with extendible safety grille

This is a safety net designed to use on an extendible safety grille. By using ratchet straps with the net, goods can be pulled up against the safety grille. The ratchet straps ensure that the pallet cannot slide and the net prevents loose stones from falling off.



PROD0036

Safety Net Guide

This accessory can only be used with the combination of an extendible safety grille and an extendible safety net.



PROD0038

Step for crane fork

Used to make it easier to hook and unhook the cranehook.